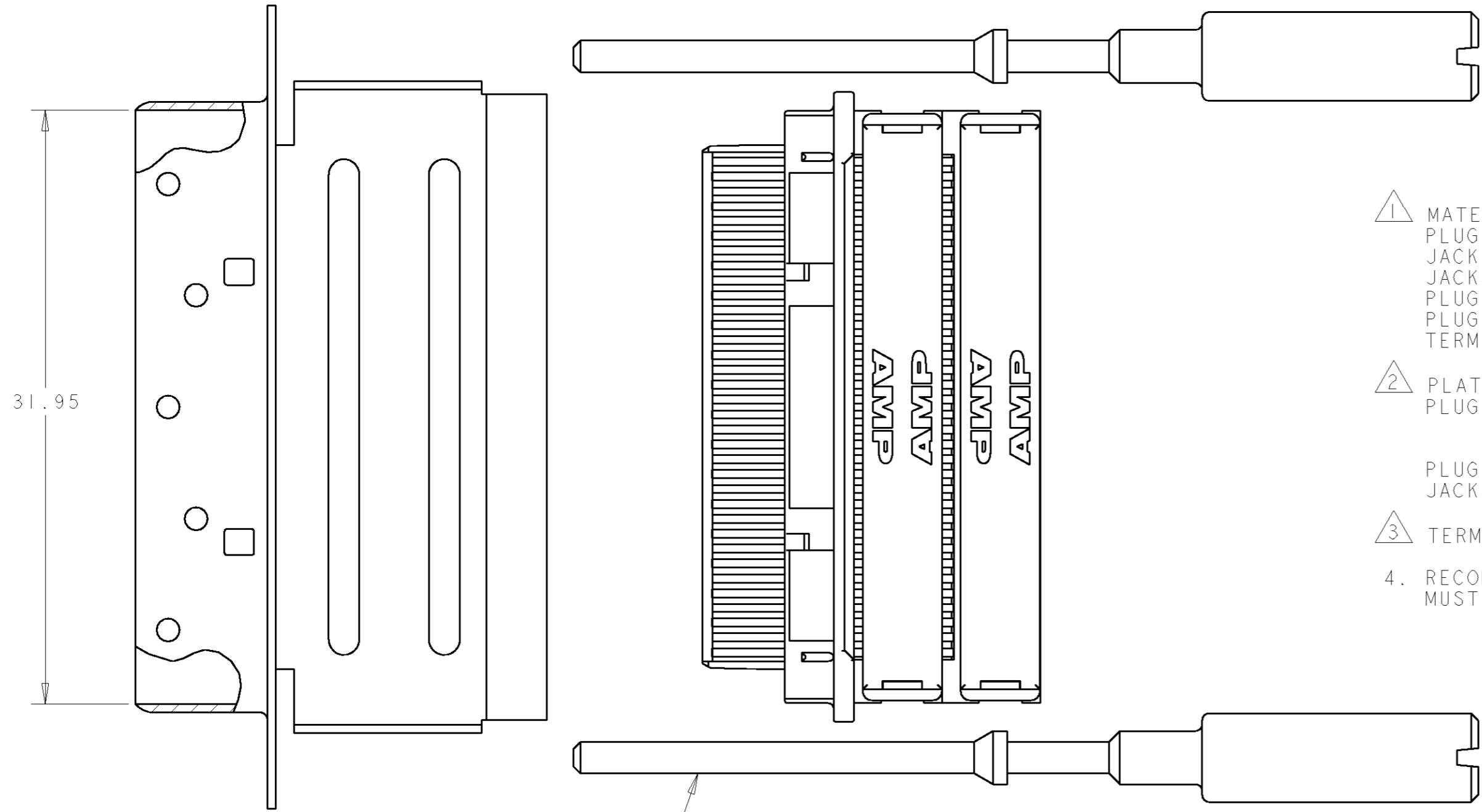


THIS DRAWING IS UNPUBLISHED. RELEASED FOR PUBLICATION 20
 © COPYRIGHT 20 BY TYCO ELECTRONICS CORPORATION. ALL RIGHTS RESERVED.

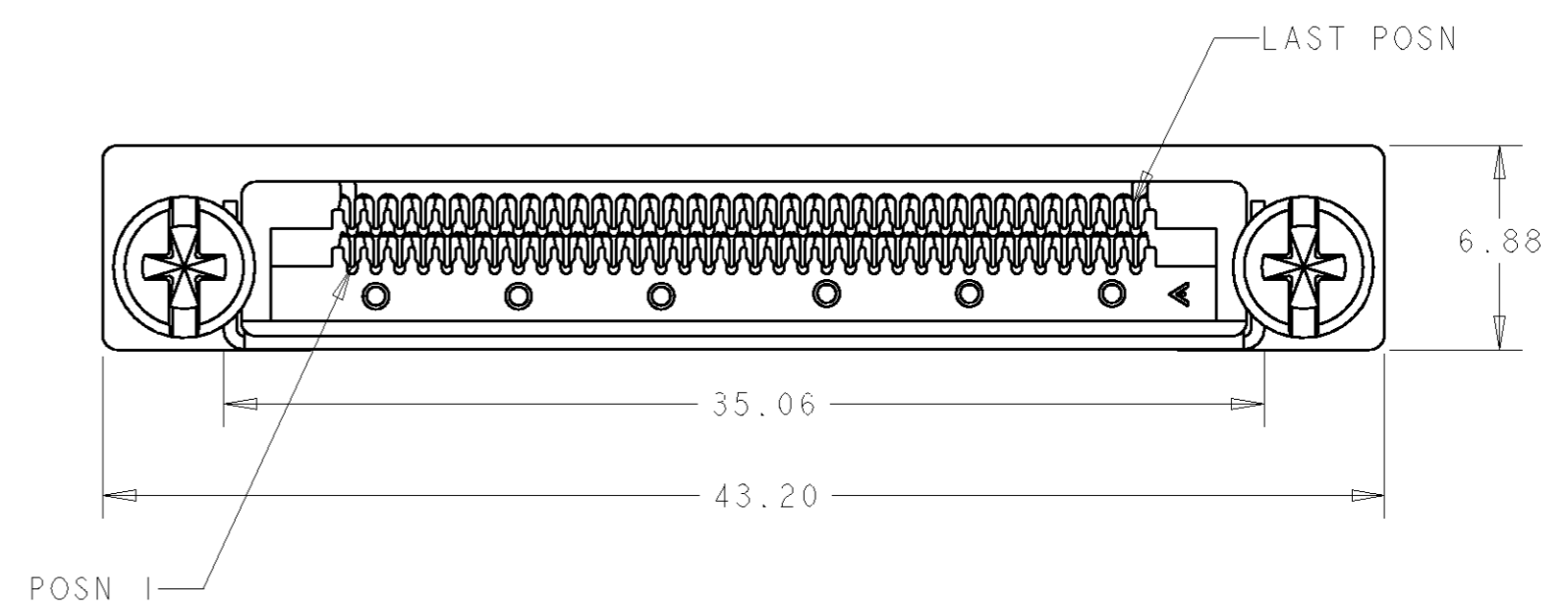
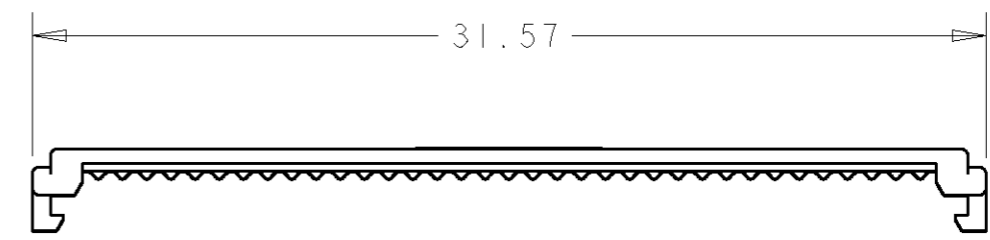
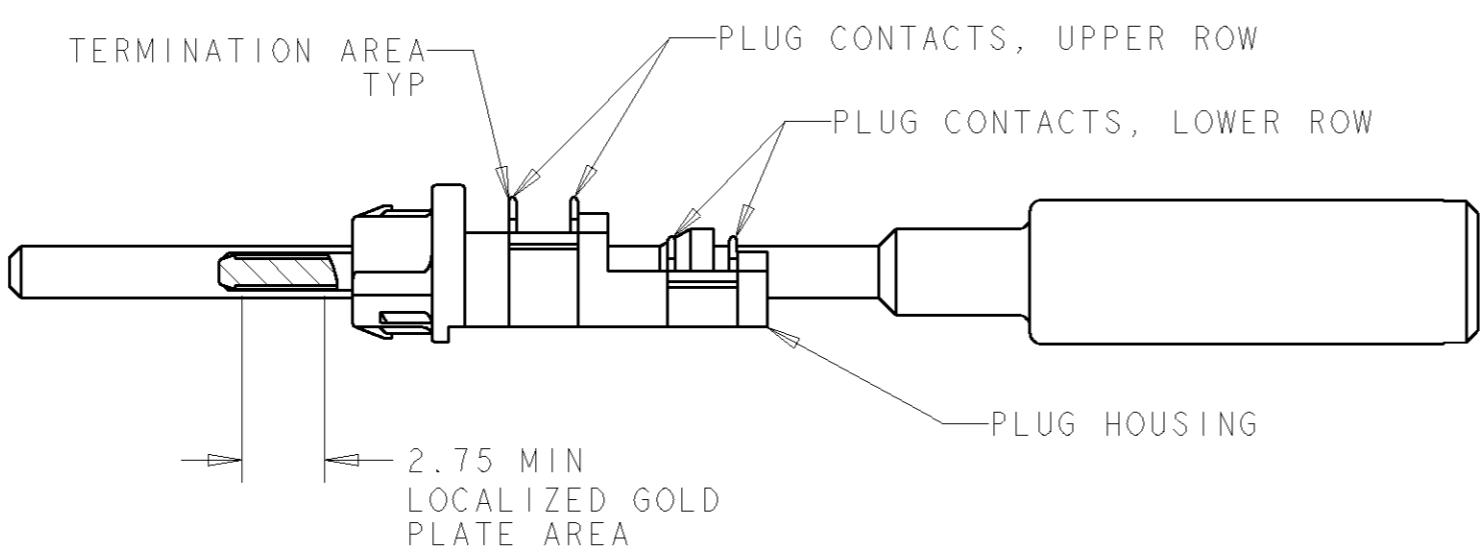
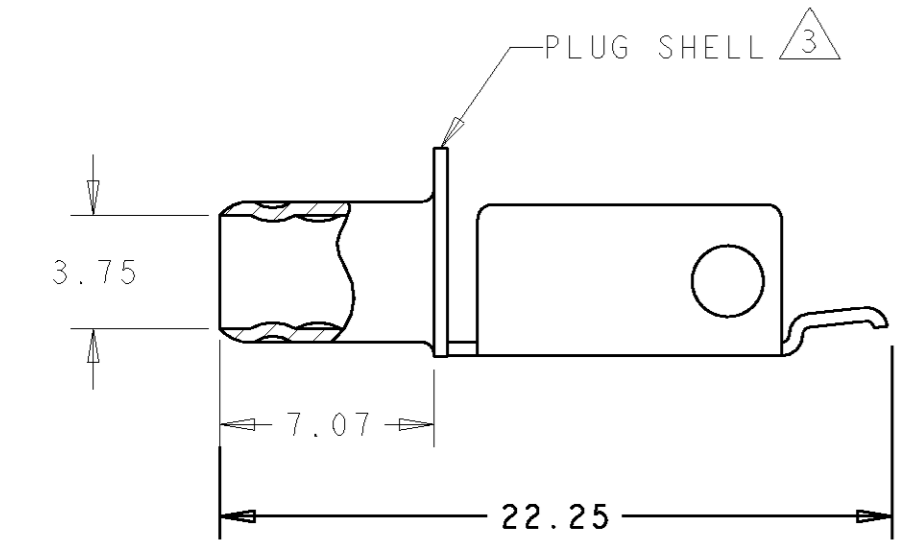
LOC	DIST	REVISIONS					
GP	00	P	LTR	DESCRIPTION	DATE	DWN	APVD
		B		REVISED PER EC 0S13-0192-02	23AUG02	JG	CF



- 1 MATERIAL:
 PLUG CONTACTS - PHOSPHOR BRONZE.
 JACKSCREWS - STAINLESS STEEL.
 JACKSCREW HEADS - POLYESTER, PBT, BLACK.
 PLUG SHELL - CARBON STEEL.
 PLUG HOUSING - LCP, NATURAL, RATED UL 94V-0.
 TERMINATION COVERS - LCP, BLACK, RATED UL 94V-0.
- 2 PLATING:
 PLUG CONTACTS - 0.76µm MINIMUM GOLD PLATE IN LOCALIZED GOLD PLATE AREA, 1.27µm MINIMUM TIN-LEAD PLATE IN TERMINATION AREA, ALL OVER 1.27µm MINIMUM NICKEL.
 PLUG SHELL - 5.08µm MINIMUM NICKEL OVER 1.27µm MINIMUM COPPER.
 JACKSCREWS - PASSIVATED PER ASTM A 380.
- 3 TERMINATION COVERS AND PLUG SHELL ARE PACKAGED UNASSEMBLED.
- 4. RECOMMENDED WIRE: 30 AWG WITH A 0.56-0.64 INSULATION DIAMETER, WIRE MUST BE APPROVED BY AMP ENGINEERING.

JACKSCREW, QTY: 2

TERMINATION COVER 3



787801-1
PART NUMBER

THIS DRAWING IS A CONTROLLED DOCUMENT FOR TYCO ELECTRONICS CORPORATION. IT IS SUBJECT TO CHANGE AND THE CONTROLLING ENGINEERING ORGANIZATION SHOULD BE CONTACTED FOR THE LATEST REVISION.		DWN S. WELDON 6-JUN-96	tyco Electronics Tyco Electronics Harrisburg, PA 17105-3608	
DIMENSIONS: mm		CHK M. RUPERT 6-SEP-96	NAME PLUG KIT, UNASSEMBLED, 68 POSN, CHAMP 0.8MM OFFSET CABLE CONNECTOR	
TOLERANCES UNLESS OTHERWISE SPECIFIED: 0 PLC ± 1 PLC ± 2 PLC ±0.13 3 PLC ± 4 PLC ± ANGLES ± FINISH		APVD M. RUPERT 10-SEP-96	PRODUCT SPEC 108-1471	
MATERIAL		APPLICATION SPEC -	SIZE A2	CAGE CODE 00779
1 -		WEIGHT -	DRAWING NO 787801	RESTRICTED TO -
2 -		CUSTOMER DRAWING	SCALE 4:1	SHEET 1 OF 1